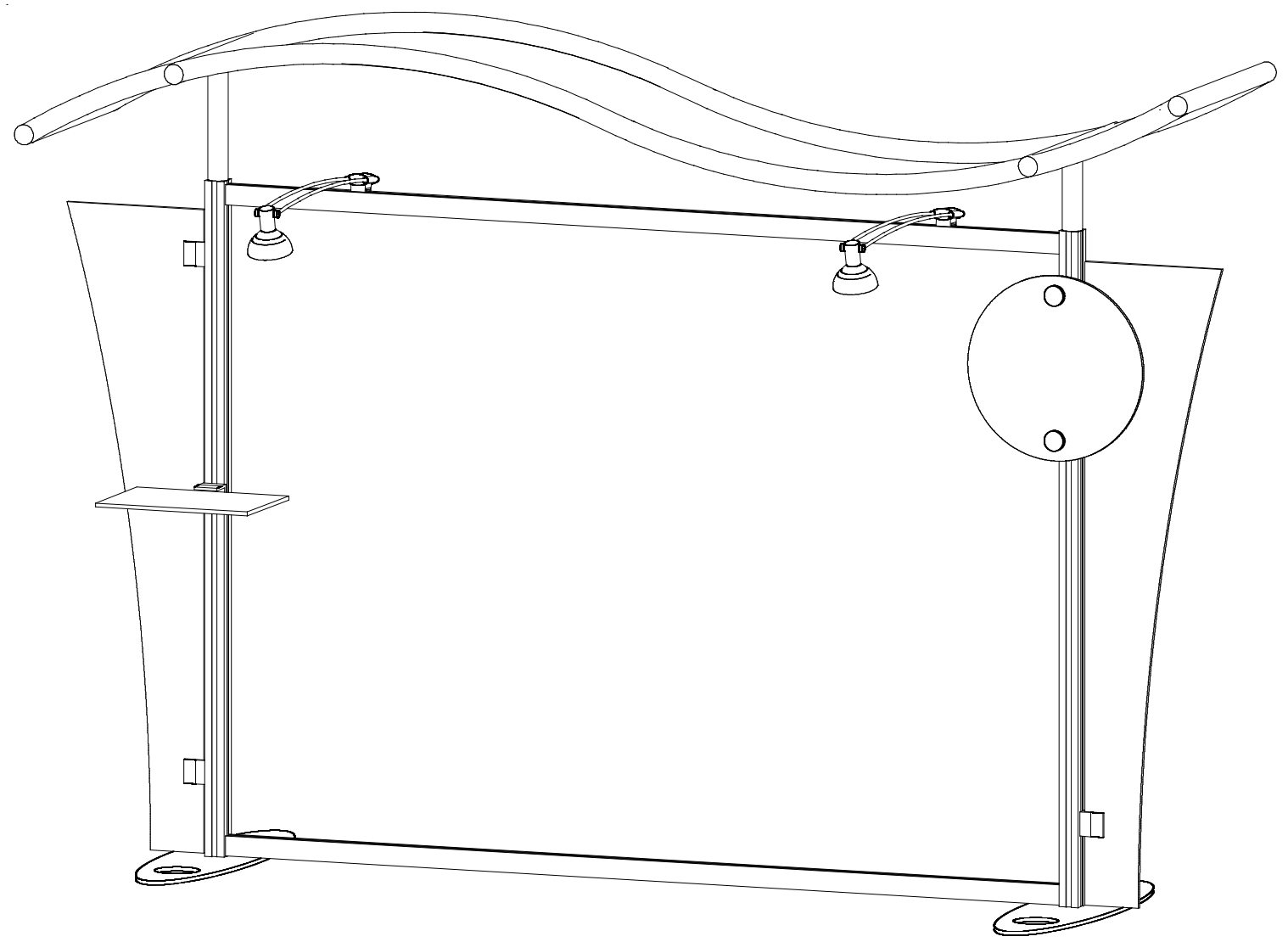


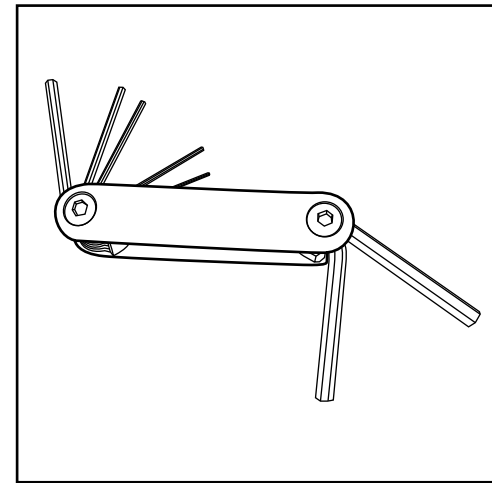
Plan View



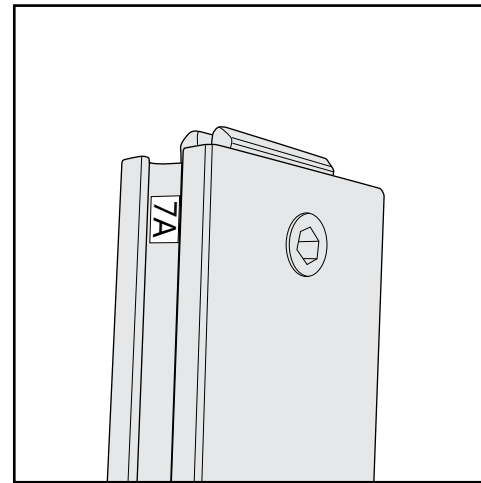
SETUP INSTRUCTIONS

General Setup Instructions

- Read entire setup instruction manual prior to unpacking parts and pieces.
- The setup instructions are created specifically for this configuration.
- Setup instructions are laid out sequentially in steps, including exploded views with detailed explanation for assembly.



Hex Tool - Essential for Assembly



Part Identification - Numbering



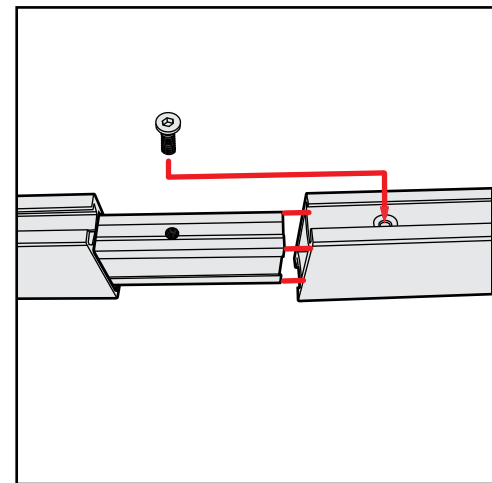
WARNING

Cleaning & Packing

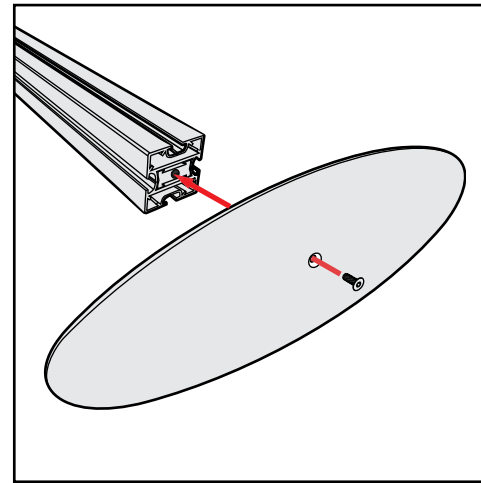
- For Cleaning Metal, Plex, & Laminate Parts: Use a **MILD NON-ABRASIVE** cleanser and soft cloth/paper towel to clean all surfaces.
- Keep exhibit components away from heat and prolonged sun exposure. **Heat and UV exposure will warp and fade components.**
- Retain all provided Packing Materials. All provided packing materials are for ease of repacking & component protection.

Disassembly

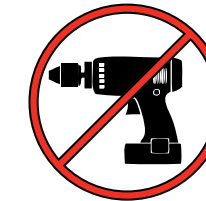
- For loss prevention, tighten all set screws and locks during disassembly.



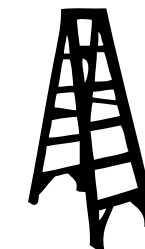
Spline Connection



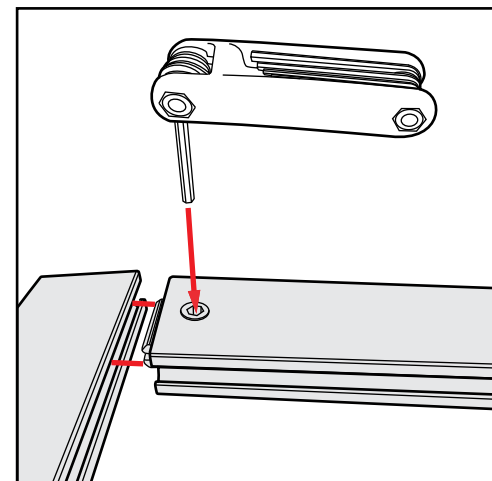
Base Plate & Extrusion Connection



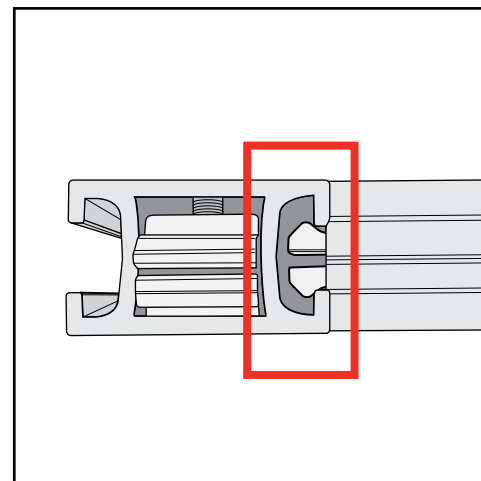
DO NOT USE POWER TOOLS



LADDERS OR LIFTS
MAY BE REQUIRED



Extrusion & Lock Connection

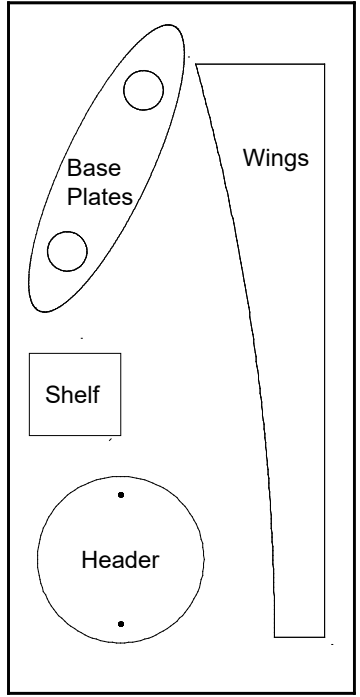


Engaged Lock

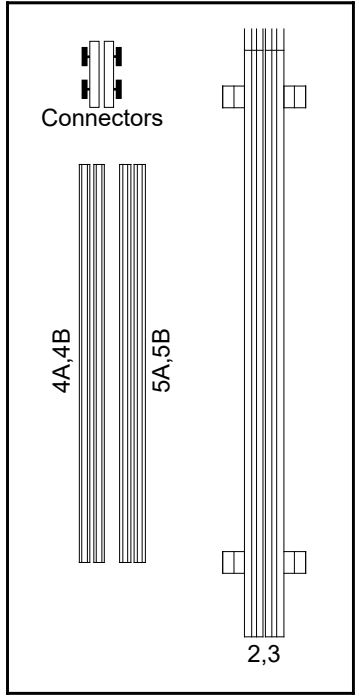


ALL CONNECTIONS MUST
BE TIGHTLY SECURED

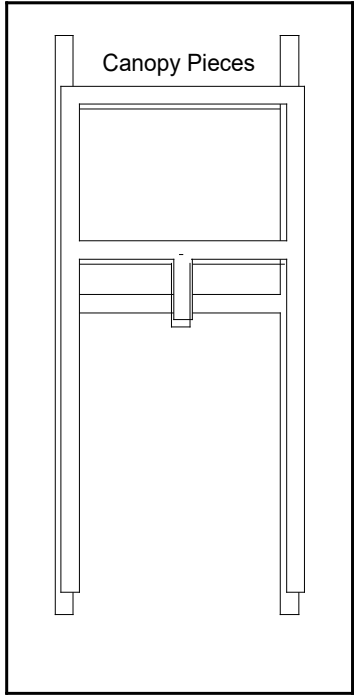
Top View of Each Level



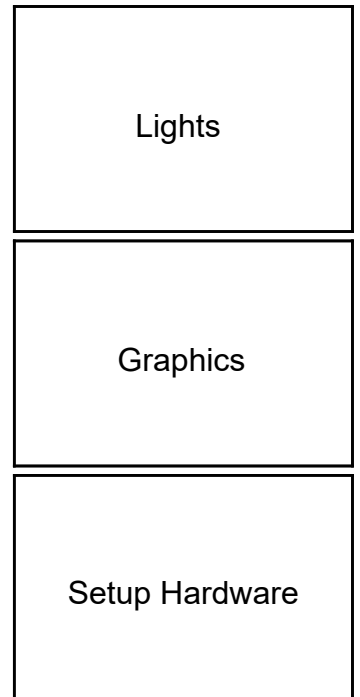
Level 1
(Bottom level)



Level 2



Level 3



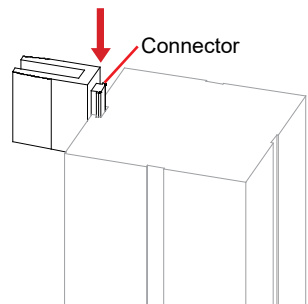
Item	Qty.	Description
1	2	Base Plate
2	1	42" Vertical Extrusion w/ Clamps & Canopy Mount
3	1	42" Vertical Extrusion w/ Clamps & Canopy Mount
4A,4B	1,1	27.5" Horizontal Extrusion
5A,5B	1,1	27.5" Horizontal Extrusion

Steps:

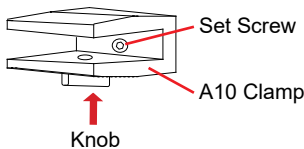
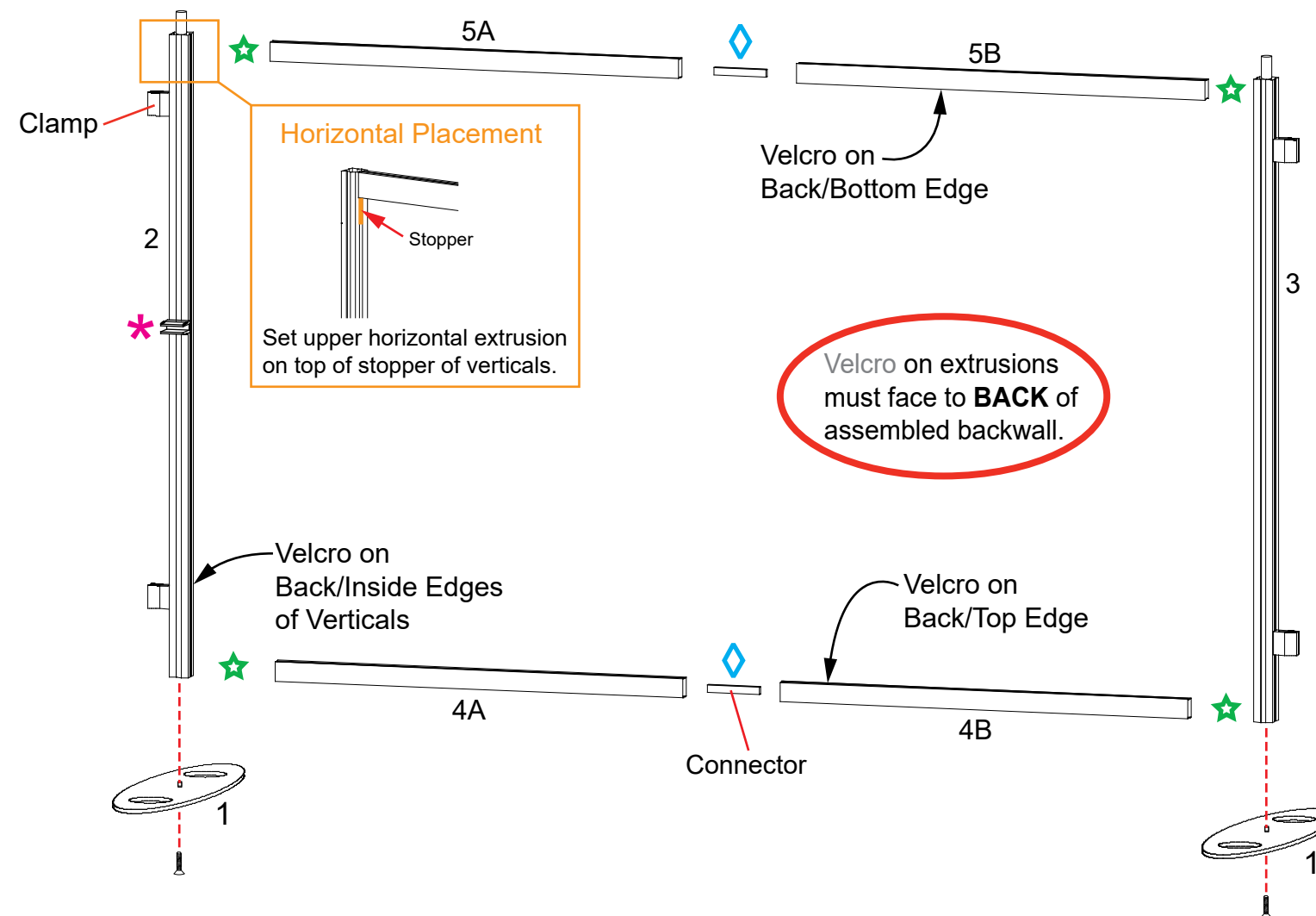
- 1) Attach base plates [1] to verticals [2] and [3].
- 2) Connect horizontals [4A to 4B] and [5A to 5B], using connectors.
See [Straight Connection with Knobs](#) detail.
- 3) Attach horizontals [4A/4B] and [5A/5B] between verticals [2] and [3].
See [Corner Connection with Knob](#) detail.
- 4) Attach A10 clamp to front of vertical [2]. See [A10 Clamp](#) detail.
- 5) Connect graphic to Velcro on back of assembled backwall.

Keep clamps and canopy mounts attached to verticals.

*** A10 Clamp**



- 1) Slide connector of clamp into extrusion groove.
- 2) Tighten set screw when A10 is in desired location.
- 3) Insert wing into clamp.
- 4) Tighten knob on clamp to secure wing in place.

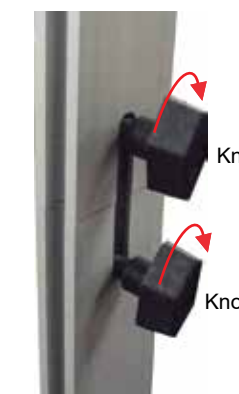
★ Corner Connection with Knob



Turn knob clockwise to tighten lock.

Do not over tighten Knobs

◇ Straight Connection with Knobs



Slide connection bar between extrusions, then turn knobs clockwise to tighten lock.

Do not over tighten Knobs

AERO

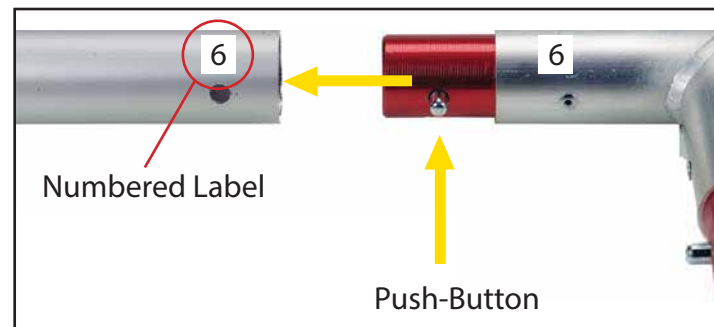
Using Your Setup Instructions

The Aero Setup Instructions are created specifically for your configuration. The instructions include an exploded view of the frame which is sequentially labeled. We encourage you to review the instructions before attempting to assemble your exhibit.

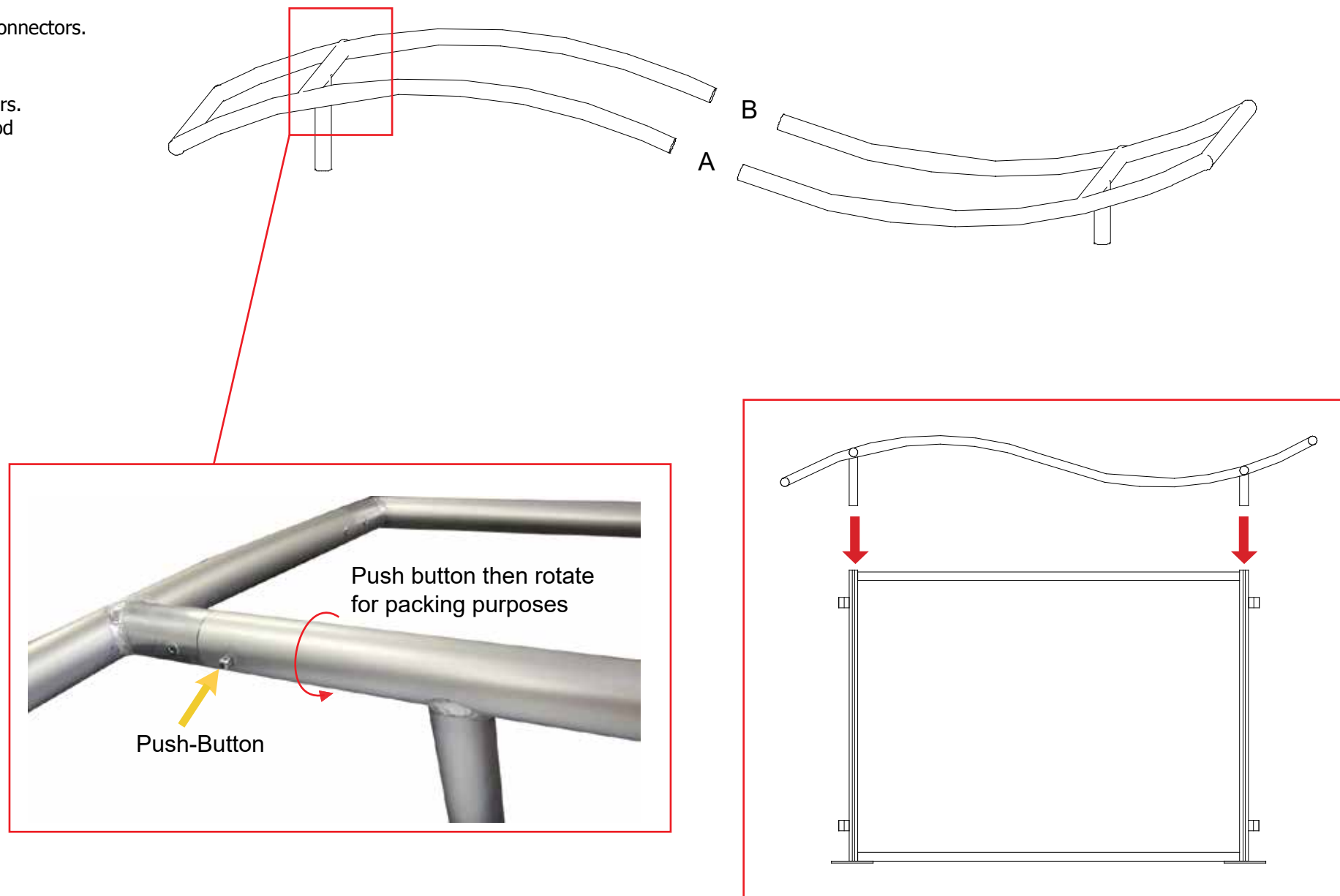
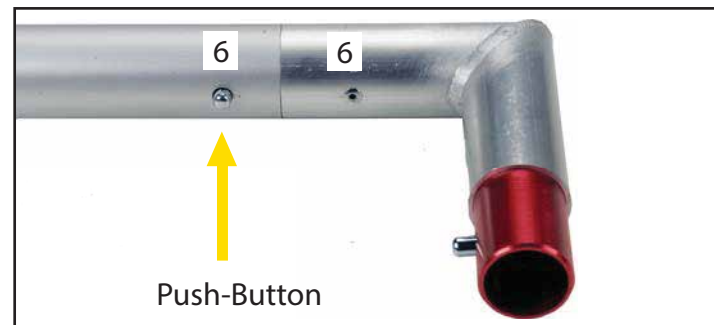
Connections are kept very simple; no tools required. Everything assembles with push-button connectors.

Cleaning and Packing Your Display

- 1) Use care when cleaning aluminum extrusion or acrylic inserts. Use only non-abrasive cleaners.
- 2) Retain all packing material. It will make re-packing much easier and will reduce the likelihood of shipping damage.



Connections are made by holding the button down and sliding the red tube into opposing tube until button locks into the hole of the opposing tube. To disassemble, push button and pull or twist extrusions apart.



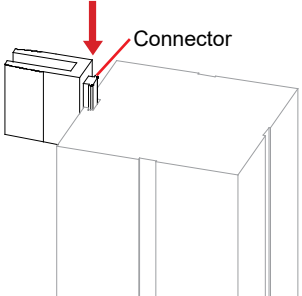
Steps:

- 1) Connect canopy pieces together as shown.
- 2) Slide fabric cover over assembled canopy then zip closed.

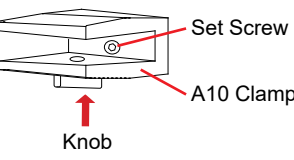
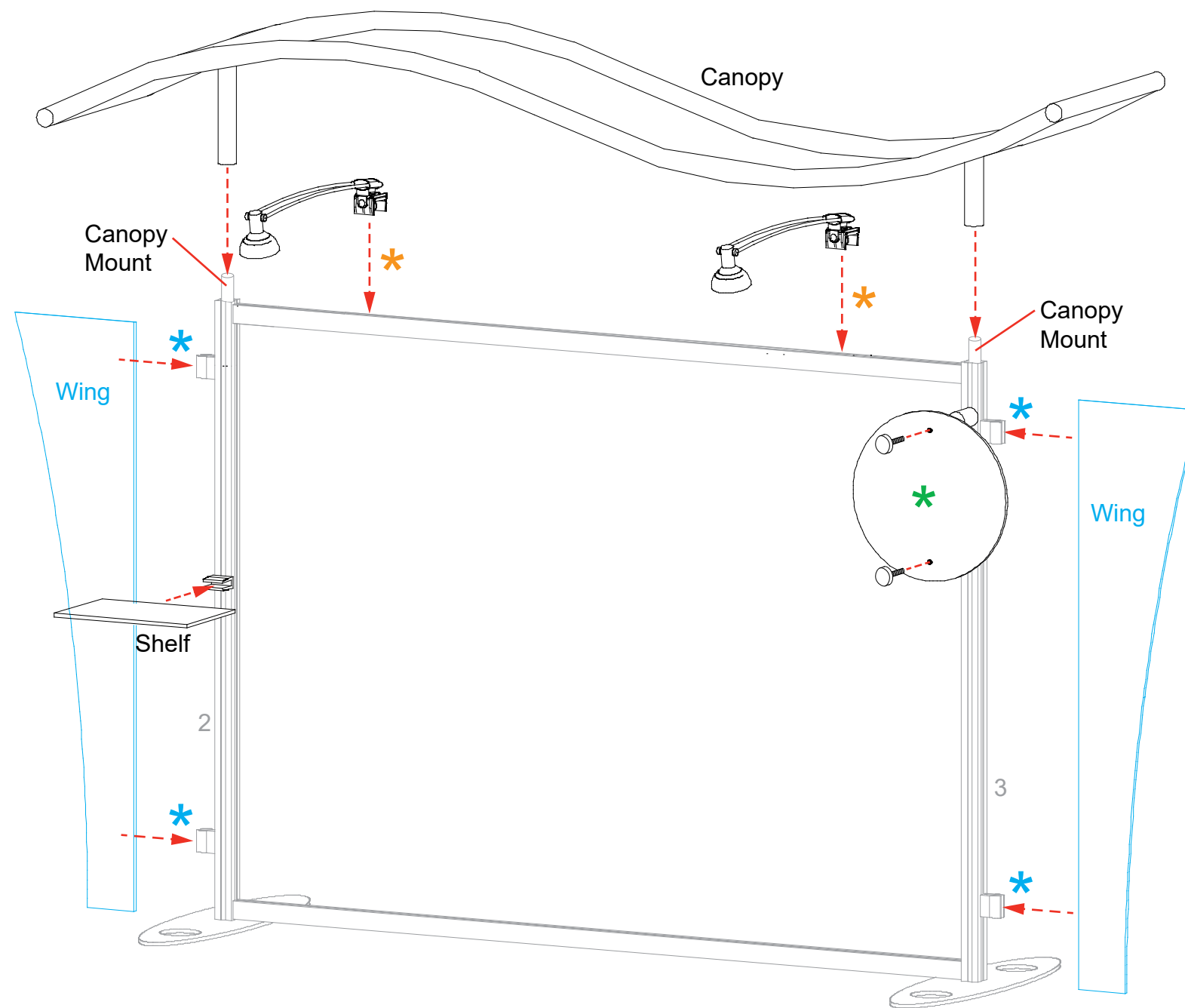
Steps:

- 1) Attach wings and shelf to clamps. See [A10 Clamp](#) detail.
- 2) Attach shelf to vertical [2], using clamp.
- 3) Attach graphic to vertical [3], using standoffs and caps. See [Graphic Attachment](#) detail.
- 4) Connect lights where desired. See [Light Connection](#) detail.
- 5) Place assembled canopy onto canopy mounts, making sure zipper is facing back.

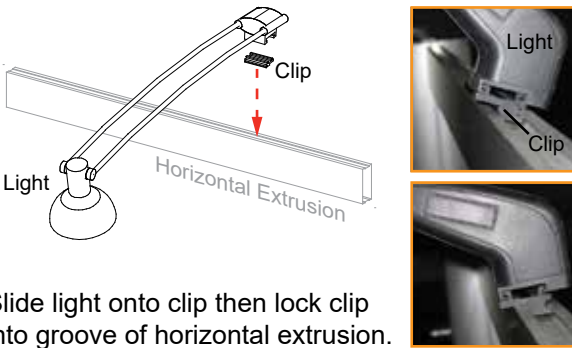
*** A10 Clamp**



- 1) Slide connector of clamp into extrusion groove.
- 2) Tighten set screw when A10 is in desired location.
- 3) Insert wing into clamp.
- 4) Tighten knob on clamp to secure wing in place.

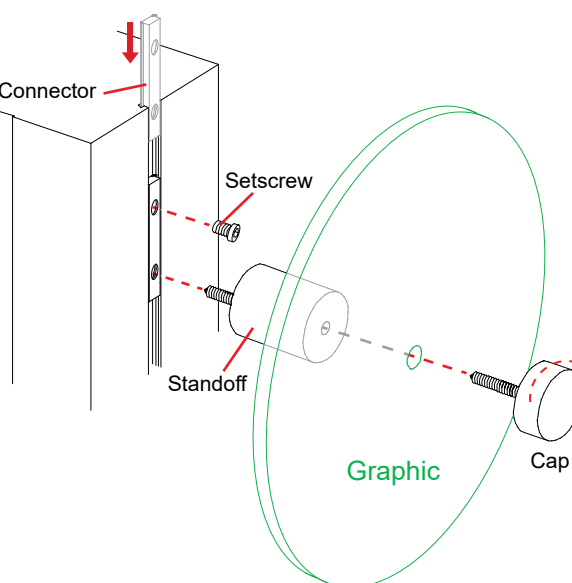
*** Light Connection**



Labels: Light, Clip, Horizontal Extrusion.

Slide light onto clip then lock clip into groove of horizontal extrusion.

*** Graphic Attachment**



Labels: Connector, Setscrew, Standoff, Graphic, Cap.

Slide connector into groove of extrusion. Tighten set screw to secure in place. Screw standoff into connector. Place graphic between standoff and cap then secure graphic to standoff, using cap.