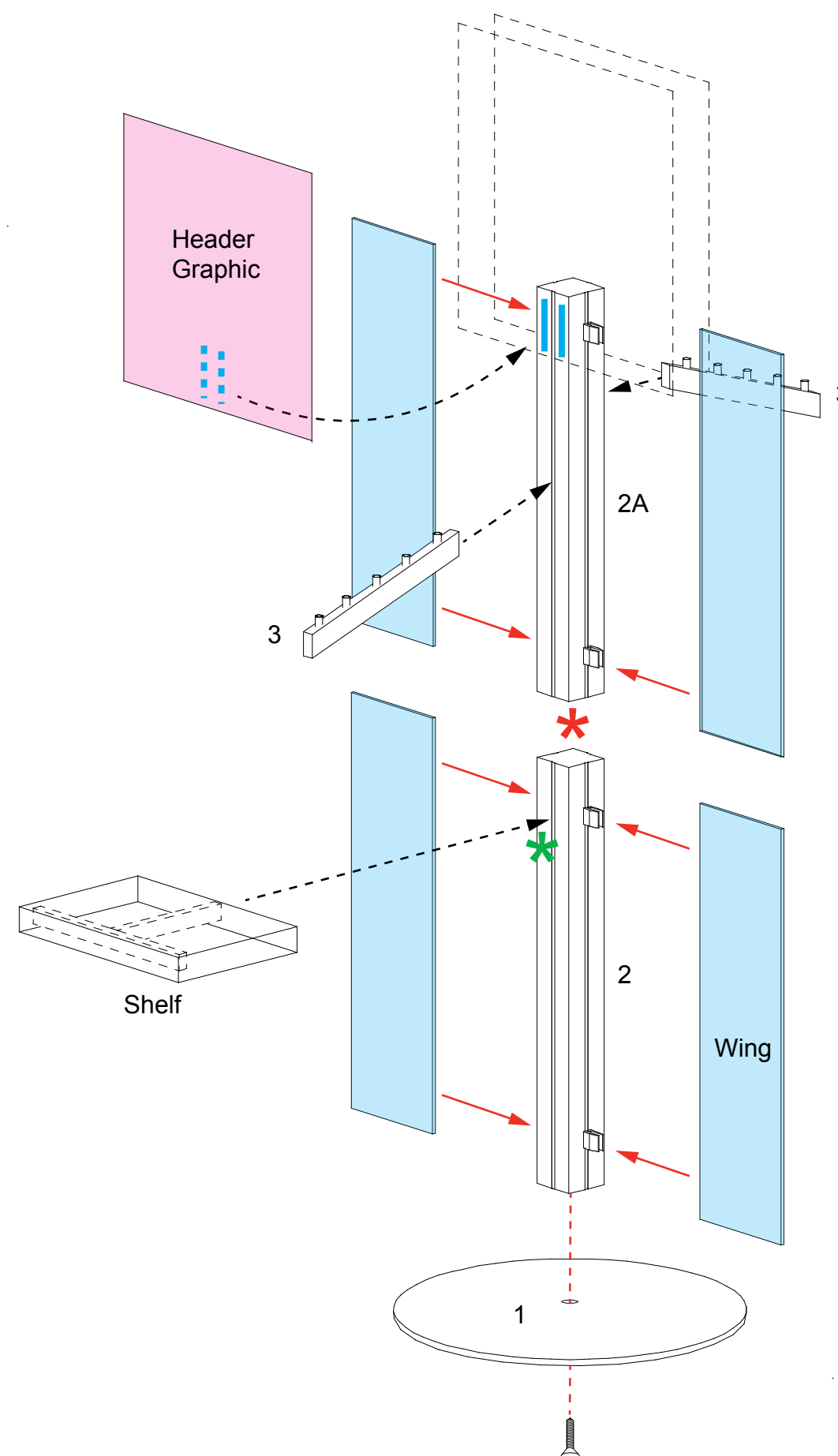
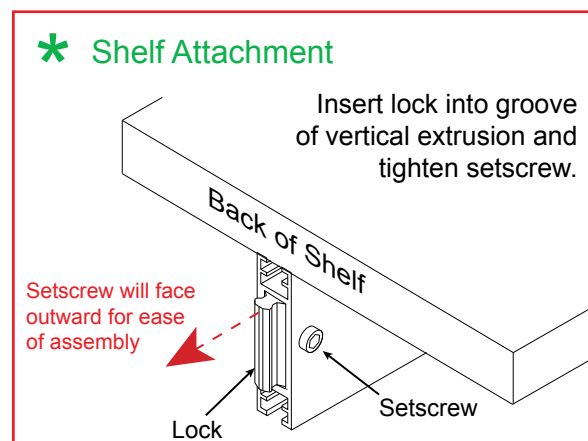
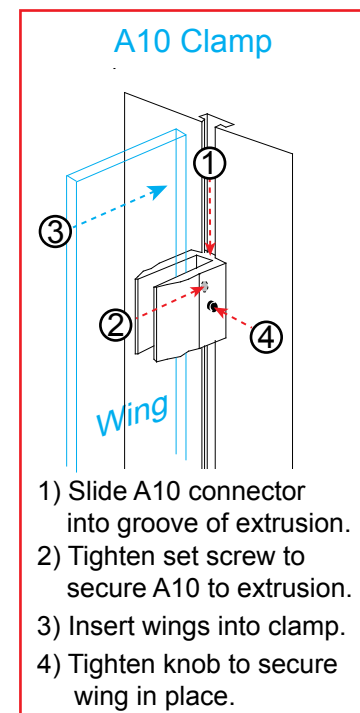
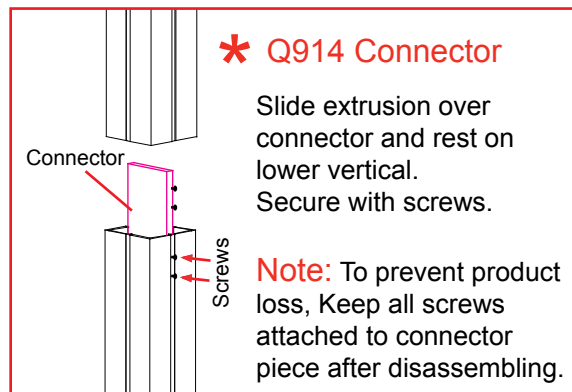


Order ##### - ECO-29C Sustainable Display Stand

Item	Qty.	Description
1	1	Base Plate
2/2A	1/1	33" Q914 Vertical Extrusion
3	2	14" Z32 Waterfall Bracket

Steps:

- 1) Assemble verticals [2] & [2A]. See [Q914 Connector](#) detail.
- 2) Install Base Plate to vertical [2/2A].
- 3) Connect A10 Clamps to left and right sides of vertical [2/2A]; insert wings. See [A10 Clamp](#) detail.
- 4) Install Waterfall Brackets [3] to front and back of vertical [2/2A].
- 5) Attach Laptop Shelf to front of vertical [2/2A]. See [Shelf Attachment](#) detail.
- 6) Affix Header Graphics to front and back using Velcro, as shown.



General Setup Instructions

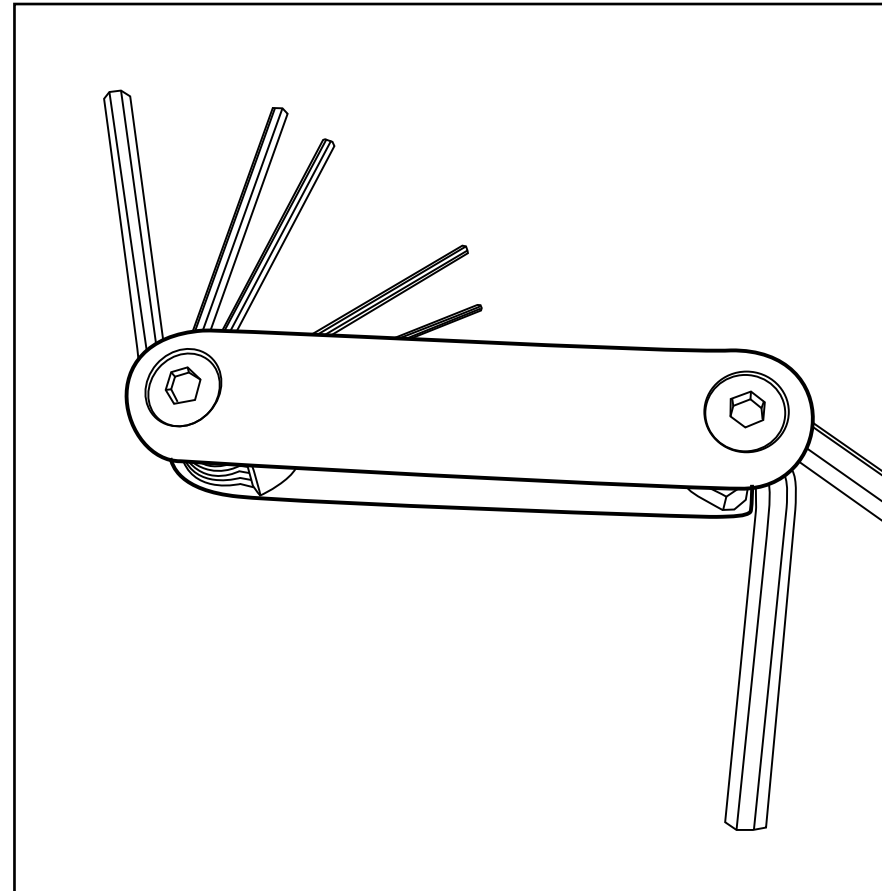
- The setup instructions are created specifically for your configuration.
- Setup instructions are laid out sequentially in levels, including exploded views and a logical series of steps for assembly. We encourage you to study the instructions before attempting to assemble your exhibit.

Cleaning and Packing

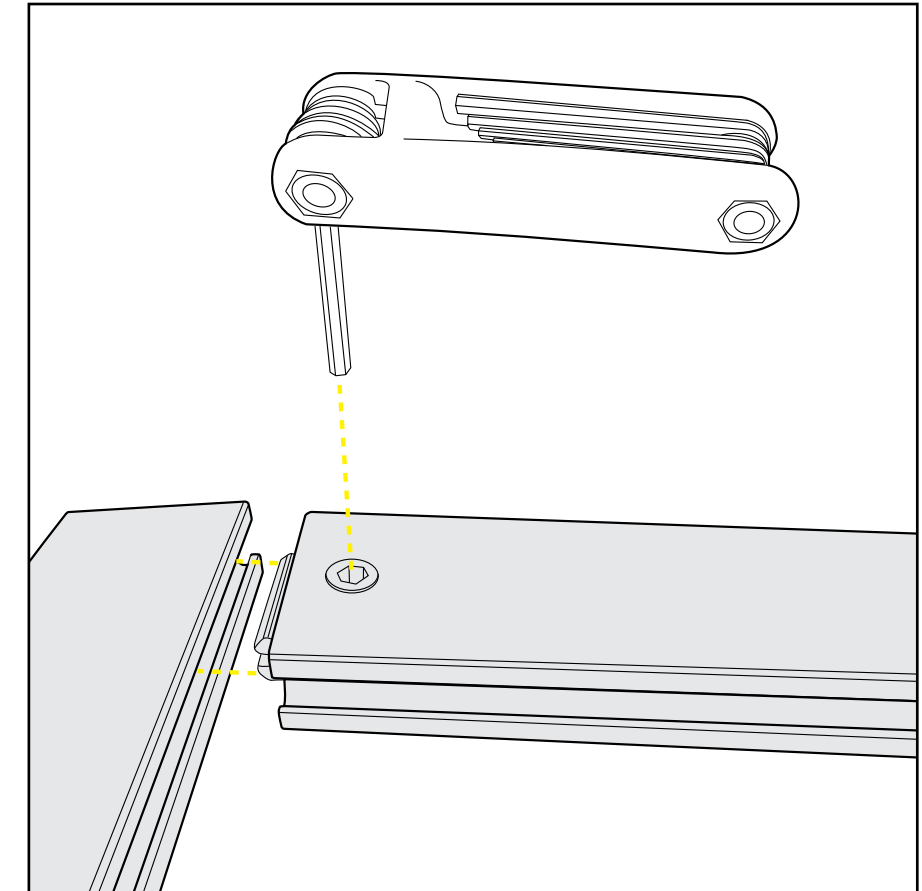
- Use non-abrasive cleaners when cleaning extrusions or ECO Glass inserts.
- Use mild cleaners and soft materials such as cotton to clean all laminates.
- Keep exhibit components away from extreme heat and long exposure to sun light. This will prevent warping and fading.
- Retain all packing material for ease of re-packing. This protects the exhibit components and keeps each part organized.

Disassembling

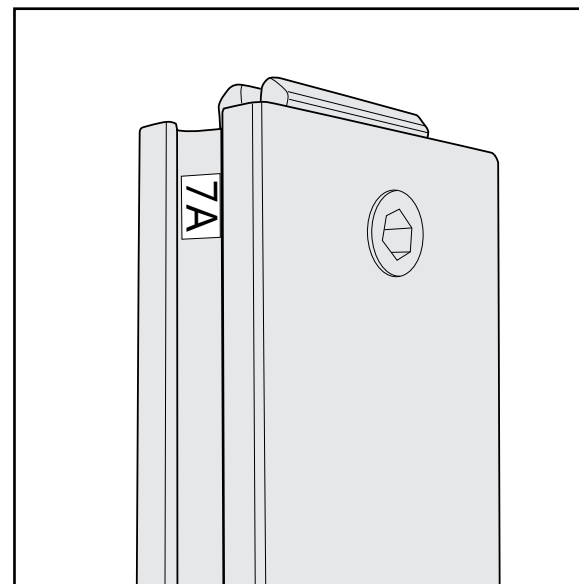
- When disassembling exhibit, tighten all setscrews to prevent loss of hardware in the shipping process.



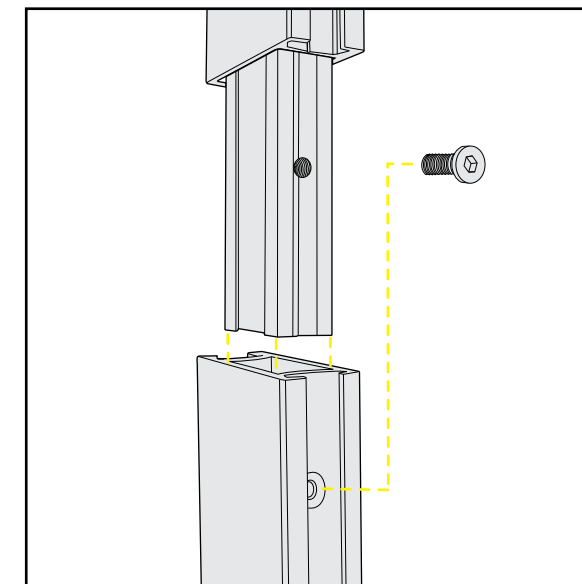
Hex Tool for Assembling Exhibit



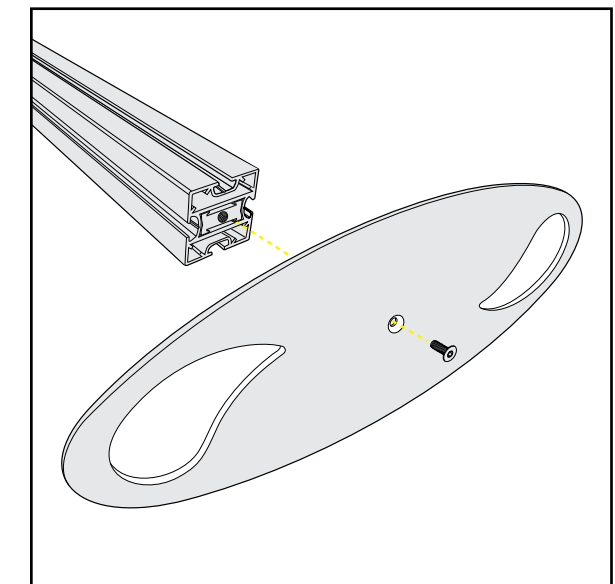
Extrusion Lock Connectors



Numbering Instructions for Setups/Packing



Inline Connection between Extrusions



Baseplate Connection for Vertical Extrusions

Top View of Each Level

